



CLIPPERCREEK

A division of Enphase Energy, Inc.

**HCS SERIES EVSE PEDESTAL
INSTALLATION GUIDE**



PLEASE NOTE:

This installation guide includes the latest information at the time of printing. Enphase Energy, Inc. reserves the right to make changes to this product without further notice. Changes or modifications to this product by other than an authorized service facility may void the product warranty.

Before Beginning:

Read these instructions completely, including the Safety Instructions. If there are questions about the use of this product, please contact a Service Representative.

Note to the Installer:

Some illustrations have been changed to grayscale to show detail for easier assembly. Your configurations may vary slightly from what is depicted in this manual. Be sure to leave these instructions with the user.

Note to the User:

Keep these instructions for further reference.



WARNING: This product can expose you to chemicals, including Carbon Black, which is known to the State of California to cause cancer. For more information go to: www.P65Warnings.ca.gov

To view the latest version of this installation guide please visit clippercreek.com/installation-manuals

HCS Series EVSE Pedestal Kit Installation Guide, Version 9, April 2022

© 2022 Enphase Energy, Inc.

All rights reserved. Printed in the USA.



CONTENTS

IMPORTANT SAFETY INSTRUCTIONS	4
INSTALLATION REQUIREMENTS.....	4
TOOLS REQUIRED FOR ASSEMBLING THE HCS PEDESTAL KIT (HCS Series EVSE)	6
PEDESTAL DIMENSIONS	7
PACKING LISTS.....	8
HCS Pedestal Kit, Standard 4 Foot (Extension and Dual-Mount Kit Compatible)	8
HCS Dual-Mount Kit for Standard 4 Foot (Optional Extension Compatible)	9
INITIAL PEDESTAL INSTALLATION	10
Concrete Pad Requirements	10
Anchor Bolt Placement	10
Mounting the Pedestal Post	11
Install the Pedestal Base Cover	12
Remove the Pedestal Post Cap	12
Install the Conduit Assembly	13
Install HCS EVSE Mounting Plate(s)	13
Install the Holster(s)	14
MOUNTING THE EVSE(S).....	14
Mounting the EVSE(S) to the Pedestal	14
Connect the Wiring	15
FINAL PEDESTAL INSTALLATION.....	16
Re-Install the Pedestal Post Cap	16
For Single-Mount EVSE Installations	16
For Dual-Mount EVSE Installations	16
Install the Cover Plate	17
Wrap and Stow the Vehicle Connector(s)	17
CUSTOMER SUPPORT	18
WARRANTY INFORMATION.....	19



IMPORTANT SAFETY INSTRUCTIONS

ClipperCreek Electric Vehicle Supply Equipment (EVSE) is designed with the safety concerns of the end user as an utmost priority; however, the following safety precautions must be read and followed:

- The EVSE and electrical wiring should be installed by a qualified electrician in accordance with local electrical codes and ordinances.
- Grounding Instructions - The EVSE should be connected to a grounded, metal, permanent wiring system; or an equipment-grounding conductor should be run with circuit conductors and connected to a grounding terminal or lead on the EVSE. Connections to the EVSE should comply with all local electrical codes and ordinances.
- Call the local service provider anytime a procedural question arises; **DO NOT** attempt to perform a procedure you are unsure of.
- Read all installation instructions carefully before performing the pedestal and EVSE installation.

INSTALLATION REQUIREMENTS

Required Equipment for a Single-Mount Pedestal with one EVSE (One EVSE per Pedestal):

- One (1) ClipperCreek HCS EVSE Pedestal Kit.
- One (1) ClipperCreek HCS EVSE.
- One (1) dedicated 208 or 240V AC branch circuit.
- One (1) circuit breaker, appropriately sized with respect to the charging capacity of the EVSE¹
- Two (2) Live Line conductors that are appropriately sized based on the EVSE power requirements with enough length to comfortably pull all the way through and above the top of the pedestal (5 feet of length is adequate).²
- One (1) Ground Line conductor with enough length to comfortably pull all the way through and above the top of the pedestal (5 feet of length is adequate) or a single bonded Ground Line.²
- Conduit sized to fit all Live Line and Ground line conductors.
- Four (4) Anchor Bolts with Nuts and Washers.

Required Equipment for a Dual-Mount Pedestal with two EVSE (Two EVSE per Pedestal):

- One (1) ClipperCreek HCS EVSE Pedestal Kit.
- One (1) ClipperCreek Dual-Mount HCS Pedestal Kit.
- Two (2) ClipperCreek HCS EVSEs.
- Two (2) dedicated 208 or 240V AC branch circuits
- Two (2) circuit breakers, appropriately sized with respect to the charging capacity of each EVSE.¹
- Two pairs (2x2) Live Line conductors (one pair for each EVSE) that are appropriately sized based on the EVSE power requirements with enough length to comfortably pull all the way through and above the top of the pedestal (5 feet of length is adequate).²
- Two (2) Ground Line conductors (one for each EVSE) with enough length to comfortably pull all the way through and above the top of the pedestal or a single bonded Ground Line.²
- Conduit sized to fit all Live Line and Ground Line conductors
- Four (4) Anchor Bolts with Nuts and Washers

Required Equipment for a Quad-Mount Pedestal with *four* EVSE (Four EVSE per Pedestal):

- One (1) ClipperCreek HCS EVSE Pedestal Kit
- One (1) ClipperCreek HCS Quad-Mount Kit
- Four (4) ClipperCreek HCS EVSEs
- Four (4) dedicated 208V or 240V AC branch circuits



- Four (4) circuit breakers, appropriately sized with respect to the charging capacity of each EVSE ¹
- Four pairs (4x2) Live Line conductors (one pair for each EVSE) that are appropriately sized based on the EVSE power requirements with enough length to comfortably pull all the way through and above the top of the pedestal (5 feet of length is adequate).²
- Four (4) Ground Line conductors (one for each EVSE) with enough length to comfortably pull all the way through and above the top of the pedestal or a single bonded Ground Line²
- Conduit sized to fit all Live Line and Ground line conductors
- Four (4) Anchor Bolts with Nuts and Washers

¹ Refer to the EVSE documentation to determine the appropriate circuit breaker current capacity.

² All conductors must be appropriately sized for the EVSE current capacity, in accordance with local and NEC electrical codes.

TOOLS REQUIRED FOR ASSEMBLING THE HCS PEDESTAL KIT (HCS Series EVSE)

The following tools are required for the installation and assembly of the pedestal components:

- L-shape T27 Torx Driver, in a variety of lengths for faster assembly. **(Alternatively, a ratcheting driver can be used. If using a powered screwdriver, set it to a low torque value.)**
- #2 Phillips Head Screwdriver
- 5/16" Hex Head Wrench
- Box Wrench (appropriately sized for the Anchor Nuts)
- Preferred tool to cut flexible conduit
- Tape measure



FIGURES

1. Pedestal Dimensions for Single-Mount and Dual-Mount Installations.....	7
2. Pedestal Base Dimensions.....	7
3. Installation Cross-Section	7
4. Proper Distance from the Curb.....	10
5. Bolt Pattern Template.....	10
6. Pedestal Post Mounting by Pattern.....	11
7. The Pedestal Base Covers	12
8. Pedestal Post Cap Removal.....	12
9. HCS Pedestal Conduit Assembly	13
10. The EVSE Mounting Plate.....	13
11. Mounting the Holster(s)	14
12. HCS Plastic Angle Washers	14
13. Mounting a Single HCS EVSE, installing Top Screws FIRST.....	15
14. Mounting a Single HCS EVSE, installing Bottom Screws LAST.....	15
15. Wiring and Conduit Placement	15
16. The Pedestal Post Cap.....	16
17. Installing the Cover Plate	17
17. Wrap and Stow the Connector(s)	17



PEDESTAL DIMENSIONS

Figure 1: Pedestal Dimensions for Single-Mount and Dual-Mount Installations

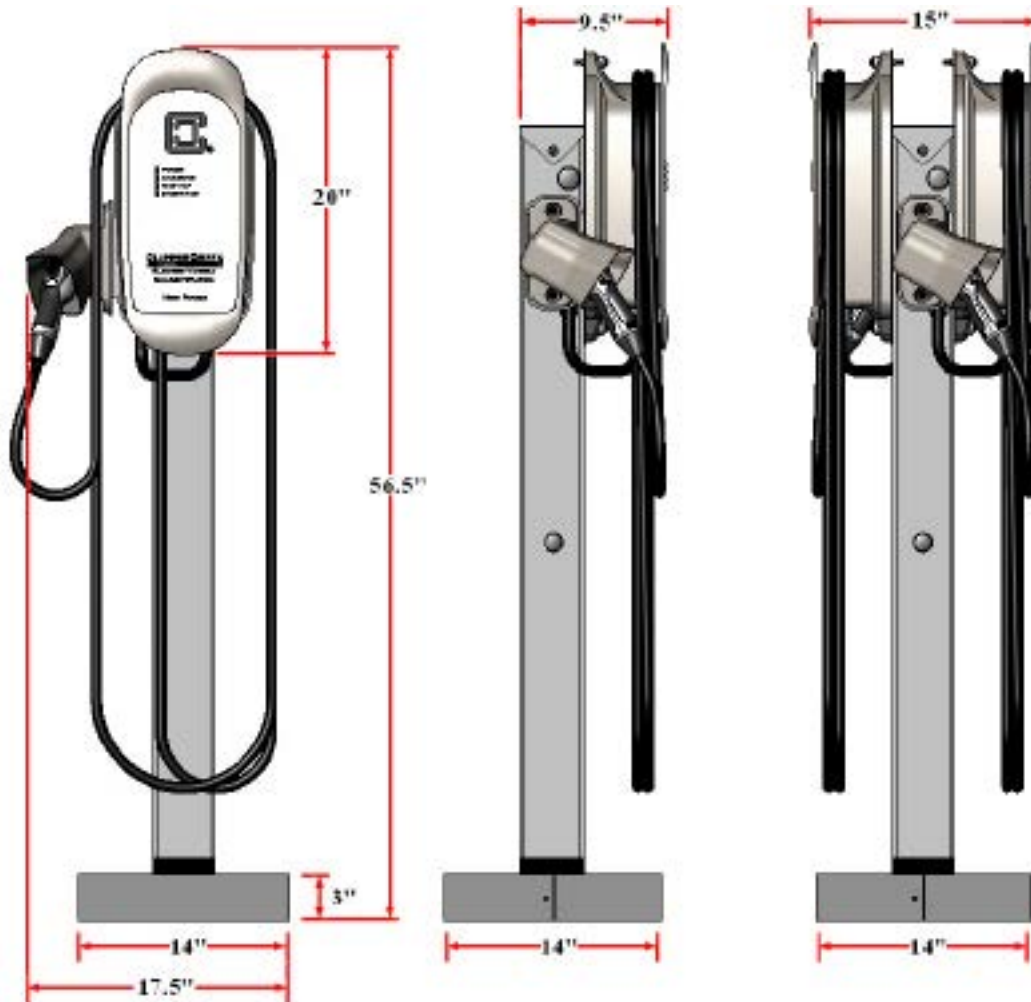


Figure 2: Pedestal Base Dimensions

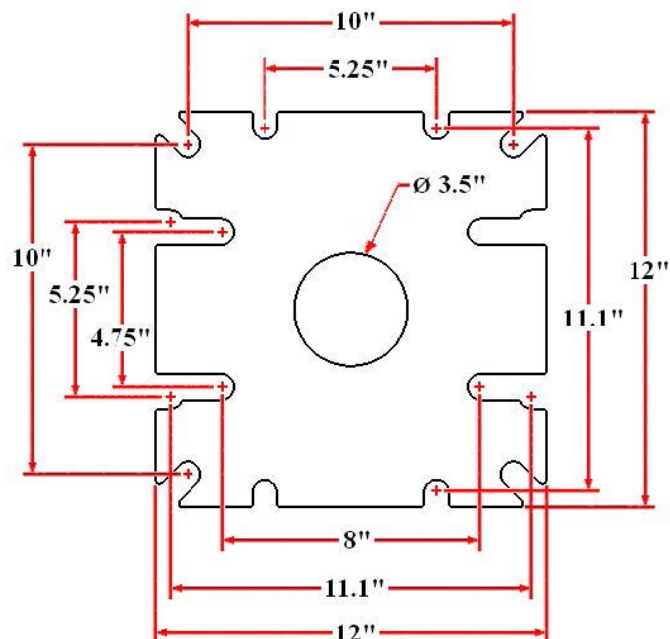


Figure 3: Installation Cross-Section



**PACKING LISTS****0300-00-033 HCS Pedestal Kit, Standard 4 Foot (Extension and Dual-Mount Kit Compatible)**

Part Number	QTY	Description
1003-0014	1	Pedestal Metalwork, Cap with Rear Flange NOTE: This item may already be attached to the top of the pedestal.
1003-0023	2	Pedestal Metalwork, Base Cover
1003-0032	1	Pedestal Metalwork, 4-Foot Post, Rev D
1003-0037	1	Pedestal Metalwork, Hole Cover Plate NOTE: This item will not be used with the HCS Quad-Mount pedestal.
1003-0039	1	Pedestal Metalwork, HCS EVSE Mounting Plate NOTE: This item will not be used with the HCS Quad-Mount pedestal.
4000-0005	2	Machine Screw, Pan Head, 8-32, 1/2" Length, Phillips
4000-0010	4	Machine Screw, Tapered Flat Head, 6-32 Size, 3/8" Length, Phillips
4000-0011	3	Machine Screw, Tapered Flat Head, 1/4-20 Size, 3/4" Length, T27 Torx
4000-0012	2	Machine Screw, Button Head, 1/4" - 20 Size, 1" Length, T27 Torx NOTE: This item may already be attached to the top of the pedestal.
4000-0019	2	Machine Screw, Button Head, 1/4" - 20 Size, 2" Length, T27 Torx
4002-0001	2	Washer, #8, Zinc, 3/16" ID, 7/16" OD
4002-0002	4	Washer, Galvanized Steel, Neoprene Bonded Seal, 1/4" ID, 5/8" OD NOTE: This item may already be attached to the top of the pedestal.
4002-0004	1	Washer, Liquid Tight Sealing, Thermoplastic, 1/2"
4013-0008	1	Pedestal Conduit Assembly, Standard 90 degree 1/2" NPT Fitting
4015-0000	4	Plug, Plastic Push-In, 1-3/32" ID, 1 - 7/32" OD (installed)
4015-0001	2	Plug, Plastic Push-In, 1 - 3/8" ID, 1 - 1/2" OD (installed)
4015-0004	4	Plug, Plastic Push-In, 7/8" ID, 1-1/64" OD (installed)
4015-0010	2	Plug, Plastic Push-In, Flush Head, Black 7/8" ID (installed)



PACKING LISTS (continued)

0300-00-030 HCS Dual-Mount Kit for Standard 4 Foot (Optional Extension Compatible)

Part Number	QTY	Description
1003-0015	1	Pedestal Metalwork, Cap without Rear Flange
1003-0039	1	Pedestal Metalwork, HCS Charger Mounting Plate
4000-0005	2	Machine Screw, Pan Head, 8-32, 1/2" Length, Phillips
4000-0011	1	Machine Screw, Tapered Flat Head, 1/4" - 20 Size, 3/4" Length, T27 Torx
4000-0012	2	Machine Screw, Button Head, 1/4" - 20 Size, 1" Length, T27 Torx
4000-0019	2	Machine Screw, Button Head, 1/4" - 20 Size, 2" Length, T27 Torx
4002-0001	2	Washer, #8, Zinc, 3/16" ID, 7/16" OD
4002-0002	4	Washer, Galvanized Steel, Neoprene Bonded Seal, 1/4" ID, 5/8" OD
4002-0004	1	Washer, Liquid Tight Sealing, Thermoplastic, 1/2"
4013-0009	1	Pedestal Conduit Assembly, Standard 90 degree 1/2" NPT Fitting
4015-0010	2	Plug, Plastic Push-In, Flush Head, Black 7/8" ID (installed)

0300-06-000 120V Ground Fault Receptacle Kit (Optional)

Part Number	QTY	Description
4015-0002	1	Plug, Knockout Bushing, 1.109" OD, 3/4" Trade Size Aperture
4301-0000	1	GFCI Ground Fault Receptacle, 15A, 125V, NEMA 5-15R, Single Socket with Switch
4301-0001	1	Gang Box, Single, Silver Metal
4301-0002	1	Weatherproof Receptacle Cover, Clear, Single Gang, 2-3/4" Depth

NOTE: The Ground Fault Receptacle Kit includes a 120V AC GFCI receptacle and housing. It may be installed at the knock-outs located 24 inches above the base on either side of the pedestal.



INITIAL PEDESTAL INSTALLATION

1. Concrete Pad Requirements

The location, dimensions, and composition of the concrete pad underlying the pedestal should always adhere to local building codes. The following dimensions are minimum recommended values. Always verify that installation plans adhere to local code requirements prior to proceeding.

- The pad area must be a minimum of 18” to a side.
- The concrete must be poured a minimum depth of 18”.
- If there is no bumper block, the center of the pedestal base should be situated 36” behind the curb.
- If a bumper block is in place, the center of the pedestal base should be situated 12” behind the curb.

2. Anchor Bolt Placement

A minimum of four (4) anchor bolts must be embedded in the concrete pad for the purposes of securing the pedestal post.

Maximum Anchor Bolt Height:

- The anchor bolts should not protrude more than 3” above the surface of the concrete pad and must be at least 1.5” above the surface of the concrete pad to compensate for the added height of the base stiffeners. (This only applies if installing the optional Extension Kit).

Use the Pedestal Base Pattern Template:

- To better facilitate the installation of the anchor bolts, a cardboard template in the shape of the pedestal base is included in the pedestal kit. A template is provided as a knock-out piece on the back of the cardboard box in which the EVSE mounting plate is packaged. The base pattern is shown in **Figure 5**.

Standard 10” x 10” Square Pattern:

- Arrange four (4) 1/2” or 3/8” anchor bolts in a 10” square pattern. This placement corresponds to the ‘A’ labels shown in **Figure 5**.

Alternate 5.25” x 11.1” Rectangular Pattern:

- Arrange four (4) 3/8” anchor bolts in a 5.25” by 11.1” rectangular pattern. This placement corresponds to the ‘B’ labeled (preferable) or ‘C’ labeled (if necessary) inner cutouts in the pedestal base. See **Figure 5**.

Figure 4: Proper Distance from the Curb

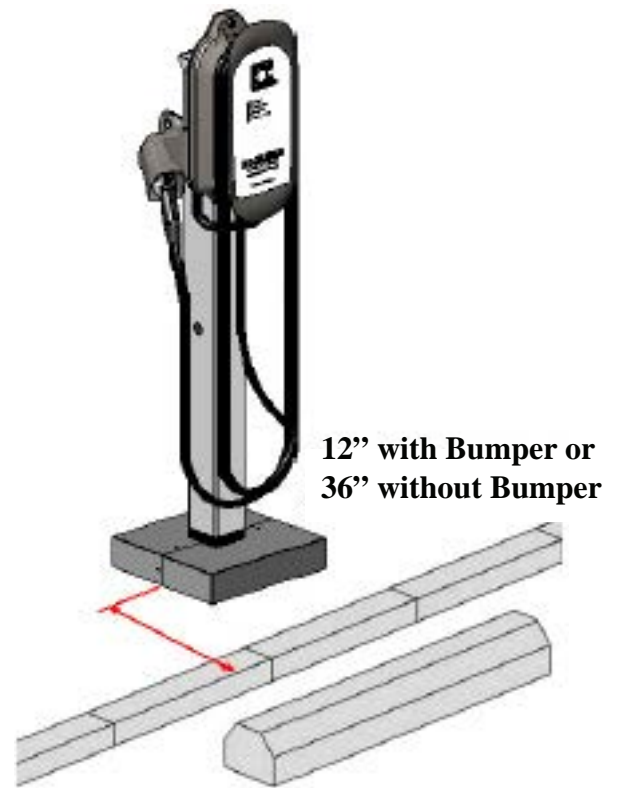
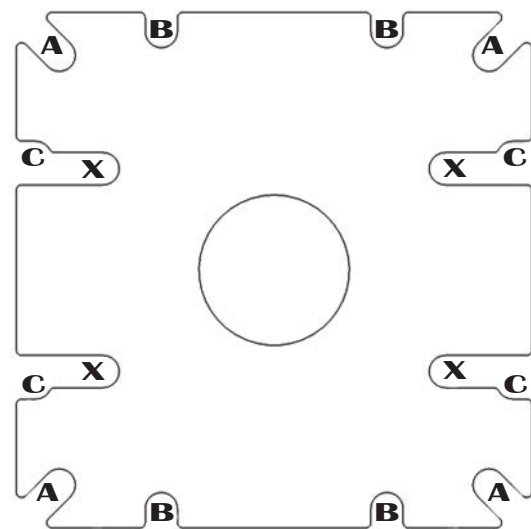


Figure 5: Bolt Pattern



Do not place bolts where ‘X’ labels are shown IF USING THE EXTENSION KIT.

Your configurations may vary slightly from what is depicted in this manual.



INITIAL PEDESTAL INSTALLATION (continued)

3. Mounting the Pedestal Post

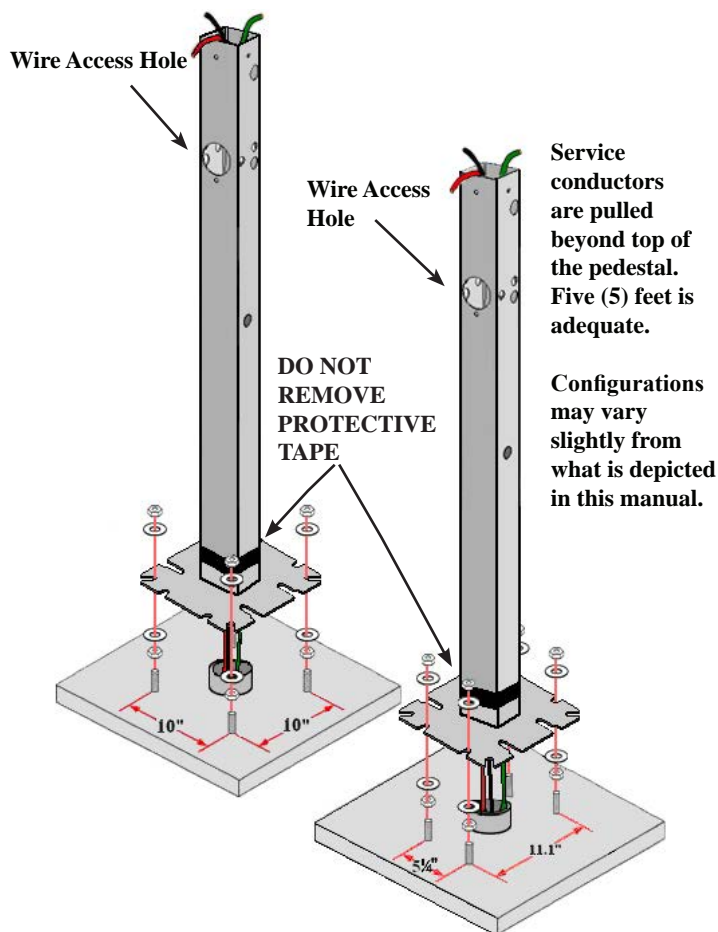
Once the concrete pad with anchor bolts has been prepared and the service conductors have been pulled through the underground conduit, the pedestal post may be placed.

NOTE: EVSEs will be on the same side(s) as the Wire Access Holes; orient the Pedestal Base accordingly.

NOTE: DO NOT REMOVE THE TAPE at the bottom of the pedestal. This tape is provided for finish and weather protection of the pedestal post.

- Feed all service conductors up through the inside of the pedestal post. The conductors must be of sufficient length to pass beyond the top of the pedestal so that final connections can be worked with comfortably at a later step.
- Align the pedestal post base notches with the four anchor bolts and ease it into place.
- Nuts and washers may be used under the pedestal base to adjust the vertical alignment of the pedestal should the concrete pad not be level.
- Secure the pedestal post base to the concrete anchor bolts using appropriately sized nuts and washers.
- The anchor bolts, nuts and washers used for the installation of the pedestal base are not included in the pedestal kit and must be purchased separately.

Figure 6: Pedestal Post Mounting by Pattern





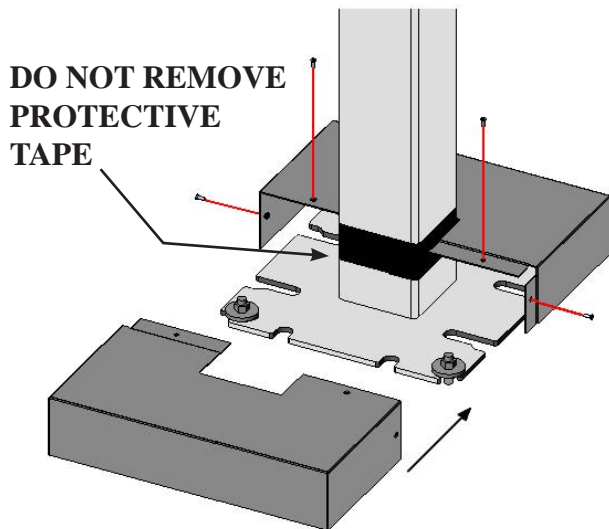
INITIAL PEDESTAL INSTALLATION (continued)

4. Install the Pedestal Base Cover

A two-piece pedestal base cover set is included in the pedestal kit. The purpose of the pedestal base cover is to beautify the installation and to protect against injury from protruding anchor bolts.

- The two covers are of an identical overlapping design.
- Slide one cover on the front side of the pedestal base until the center notch surrounds half of the pedestal post. Slide the other cover onto the rear side in the same manner. Ensure that the flanges of each cover piece are tucked inside of the opposite cover.
- Align the four screw holes of each cover piece with the corresponding screw holes on the opposite cover.
- Secure each cover piece to the other with four (4) #6-32 x 3/8" flat-head tapered screws using a #2 Philips-head screwdriver.

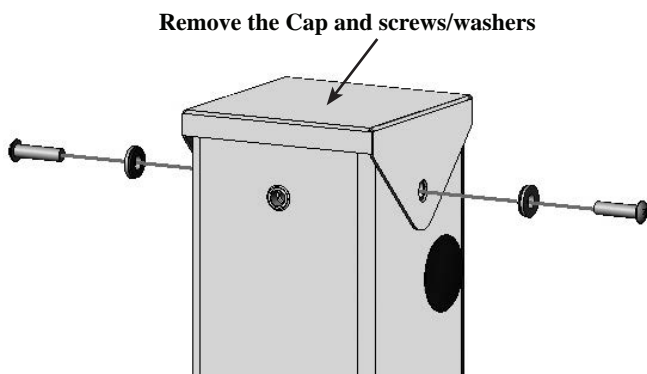
Figure 7: The Pedestal Base Covers



5. Remove the Pedestal Post Cap

A pedestal cap is provided to cover the opening to protect the conductors and inner pedestal from the elements. It may have already been assembled on the post for protection during shipping. Remove this cap for additional access to electrical connections.

Figure 8: Pedestal Post Cap Removal



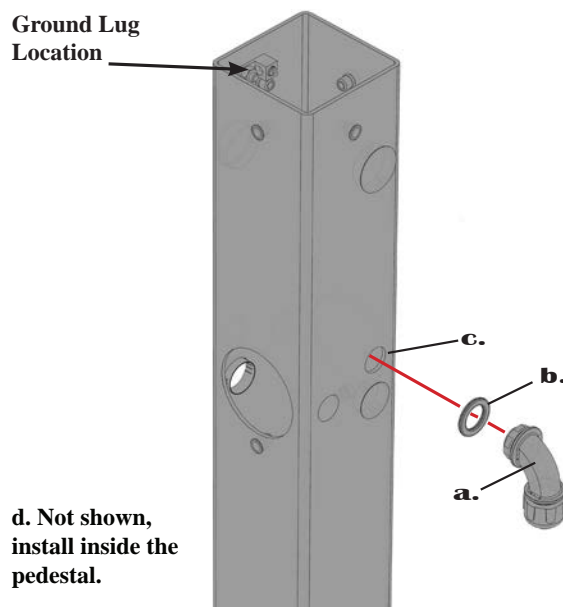


INITIAL PEDESTAL INSTALLATION (continued)

6. Install the Conduit Assembly

- Knock-out the 1½” plastic plug located 10” down from the top of the pedestal on the left side.
- Connect the following to the Pedestal Post in the order as shown in **Figure 9**:
 - a) The Standard 90 degree ½” NPT Fitting
 - b) The ½” liquid tight sealing washer
 - c) The open pedestal hole
 - d) The first locknut from the NPT Fitting (inside of the pedestal, not shown in **Figure 9**)
- Tighten so that the bottom opening of the NPT Fitting is facing downward.
- For Dual-Mount Installations, repeat on the opposite side.

Figure 9: HCS Pedestal Conduit Assembly

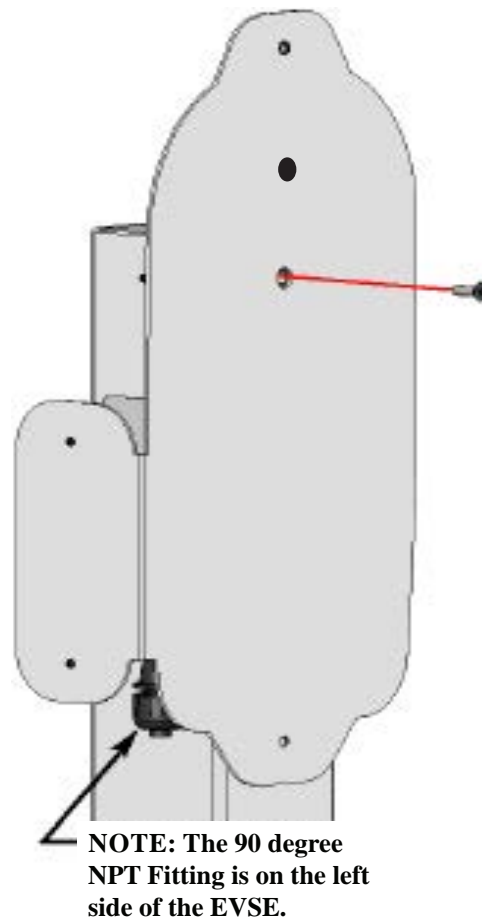


7. Install the HCS EVSE Mounting Plate(s)

An EVSE mounting plate is affixed to the front of the pedestal post to provide flat and rigid base on which the EVSE(s) can be mounted. In the case of a Dual-Mount installation, a second mounting plate is affixed to the opposite side of the pedestal post.

- Hold the EVSE mounting plate against the front side of the pedestal post as shown in **Figure 10**.
- Align the center screw hole of the mounting plate with the corresponding top threaded insert on the front of the pedestal post.
- Secure the mounting plate to the pedestal with one (1) ¼ - 20 x ¾” Torx flat-head tapered screw using a T27 Torx driver. Tighten until the head of the screw is flush with the surface of the mounting plate.

Figure 10: The HCS EVSE Mounting Plate



For Dual-Mount Charger Installations:

- The Dual-Mount Kit includes a second charger mounting plate. This second mounting plate is affixed to the back side of the pedestal post, opposite of the first mounting plate.
- As with the first mounting plate, align the center screw hole of the mounting plate with the corresponding top threaded insert on the front of the pedestal post and tighten one (1) ¼” - 20 x ¾” Torx flat-head tapered screw using a T27 Torx driver until the screw head is flush with the surface of the mounting plate.



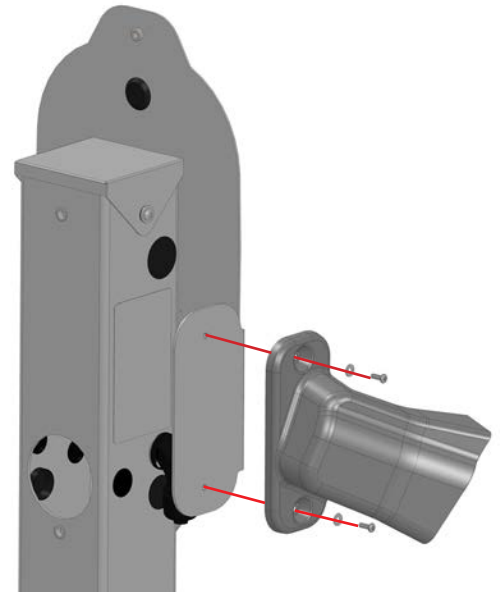
INITIAL PEDESTAL INSTALLATION (continued)

8. Install the Holster(s)

The holster(s), which is included with the EVSE(s), is used to stow the vehicle connector(s). To install, follow the steps below.

- Place a #8 washer around the shaft of each of the two (2) 8-32 pan head screws.
- Secure the Holster to the Mounting Plate as shown.
- For an installation with two chargers affixed to the same post, repeat the previous steps for the opposite side.

Figure 11: Mounting the Holster(s)



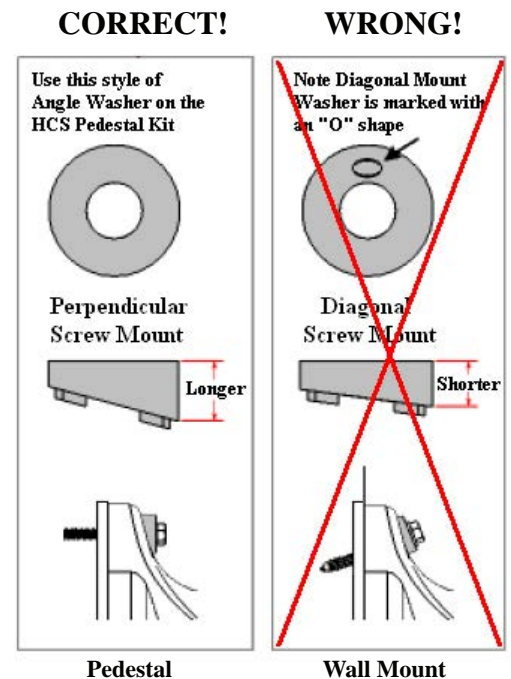
MOUNTING THE EVSE(S)

1. Mounting EVSE(s) to the Pedestal

With the mounting plate in place, the pedestal is now ready for the EVSE(s) to be mounted. Unwrap the cable and click the vehicle connector into the holster to keep it safe and out of the way during installation.

- Place a 1/4" Neoprene-bonded sealing washer around the shaft of each of the two (2) 1/4-20 x 2" Torx buttonhead screws. The metal portion of the washer should face the head of the screw while the neoprene should face the tip of the screw.
- There are two different styles of HCS plastic angle washers. The correct style to use with the HCS Pedestal is the Perpendicular Screw Mount. These washers are included with the HCS Charging Station and do not accompany this kit. **Refer to Figure 12.**
- Align the two screw holes on the top and bottom of the EVSE with the corresponding threaded inserts on the mounting plate.
- Use a T27 Torx driver to **secure the top of the EVSE first** using one (1) 1/4" - 20 x 2" Torx button-head screws with neoprene washer and HCS Plastic Angle Washer as shown in **Figure 13. Do not over-tighten.**
- Secure the bottom of the charger using one (1) 1/4"-20 x 2" Torx button-head screws with neoprene washer and HCS Plastic Angle Washer as shown in **Figure 14.**
- For an installation with two chargers affixed to the same post, repeat the previous steps for the opposite side.

Figure 12: HCS Plastic Angle Washers



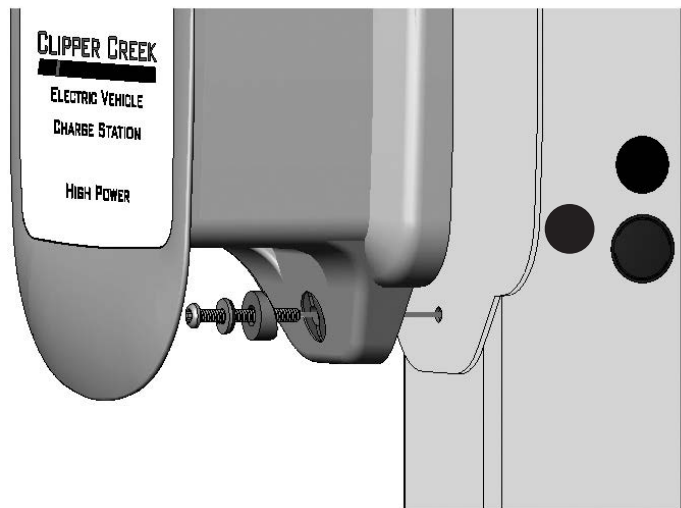


MOUNTING THE EVSES (continued)

Figure 13: Mounting a Single HCS EVSE, Installing Top Screws FIRST



Figure 14: Mounting a Single HCS EVSE, Installing Bottom Screws LAST

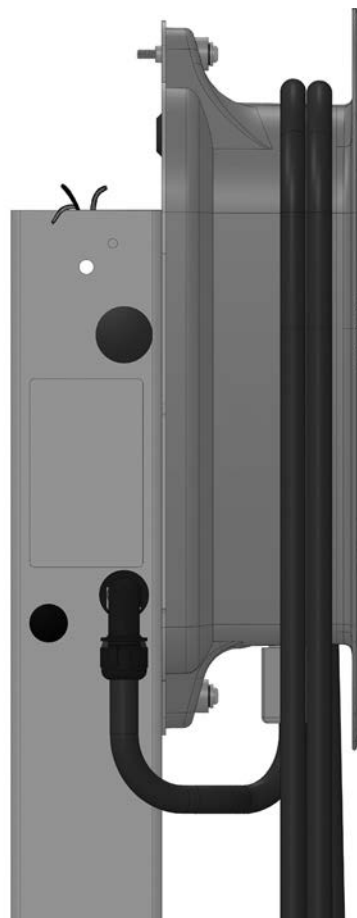


2. Connect the Wiring

The HCS EVSE has a flexible conduit extension with three conductors. These conductors must be routed through the side of the pedestal and the ninety-degree ½” NPT for connection.

- Locate the hole closest to the EVSE.
- Trim the EVSE conduit to length. The recommended length of conduit to remain is 12 inches as measured from the bottom of the EVSE.
- Route the three conductors that come through the EVSE’s flexible conduit through the NPT connection and pull through the top of the Pedestal Post.
- No disassembly of the NPT Fitting is required. Push the conduit onto the NPT Fitting ferrule and then tighten the domed sealing nut on the NPT fitting.
- For Dual-Mount Installations, repeat on the opposite side.
- All sets of conductors and ground lug connections inside the Pedestal Post must be made at this time. **The top access hole will be blocked after this step.**

Figure 15: Wiring and Conduit Placement





FINAL PEDESTAL INSTALLATION

1. Re-Install the Pedestal Post Cap

The pedestal cap is provided to cover the opening to protect the conductors and inner pedestal from the elements. Install the appropriate pedestal cap for a single-mount or dual-mount EVSE installation as described below.

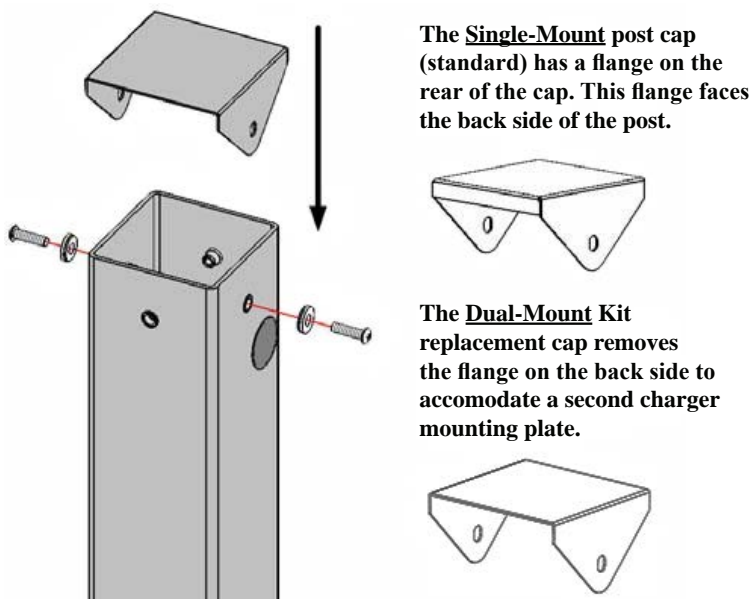
For Single-Mount EVSE Installations:

- Single-mount EVSE installations utilize the standard post cap provided in the pedestal kit. This post cap includes a flange on one side. Place the post cap onto the top of the pedestal, with the flange facing the rear.
- Align the screw holes on each side of the post cap with the corresponding threaded inserts on the sides of the pedestal.
- Place a ¼" Neoprene-bonded sealing washer around the shaft of two (2) ¼"-20 x 1" Torx button-head screws. The metal portion of the washer should face the head of the screw while the neoprene should face the tip of the screw.
- Secure the cap to the pedestal with the two (2) ¼"-20 x 1" Torx button-head screws (with washers) using a T27 Torx driver.

For Dual-Mount EVSE Installations:

- Dual-Mount EVSE installations utilize a *replacement* post cap provided in the Dual-Mount Kit. This post cap lacks a flange at the rear. Place the post cap onto the top of the pedestal.
- Align the screw hole on each side of the post cap with the corresponding thread insert on the side of the pedestal.
- Place a ¼" Neoprene-bonded sealing washer around the shaft of two (2) ¼"- 20 x 1" Torx button-head screws. The metal portion of the washer should face the head of the screw while the neoprene should face the tip of the screw.
- Secure the cap to the pedestal with the two (2) ¼"- 20 x 1" Torx button-head screws (with washers) using a T27 Torx driver.

Figure 16: The Pedestal Post Cap





FINAL PEDESTAL INSTALLATION (continued)

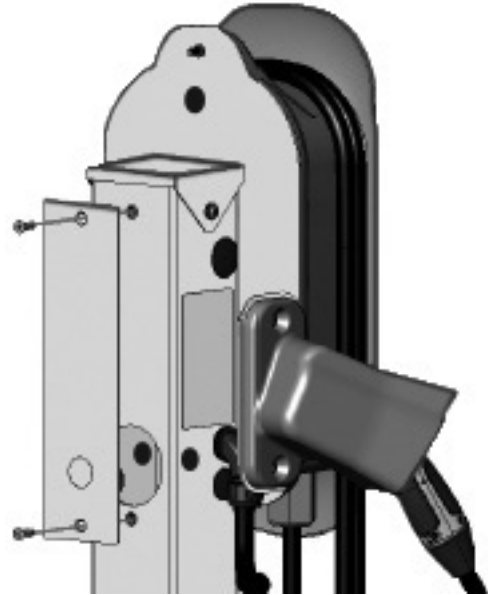
2. Install the Cover Plate

The cover plate is provided to cover the electrical access hole for Single-Mount Pedestals only.

Skip this step if you are installing a Dual-Mount Pedestal.

- Secure the cover plate to the Single-Mount Pedestal using two (2) ¼"-20 x ¾" Torx flat-head tapered screws using a T27 Torx driver until the screw head is flush with the surface of the mounting plate.

Figure 17: Installing the Cover Plate



3. Wrap and Stow the Vehicle Connector(s)

- Loosely wrap the cable clockwise around the HCS EVSE as shown in **Figure 18**.
- Stow the Vehicle Connector in the holster. The button does not need to be pressed, simply insert until you hear the click to lock in place.
- Verify the safety of the installation prior to turning on the circuit breaker.
- Refer to the Charging Station User's Guide for further operational and maintenance information.

Figure 18: Wrap and Stow the Connectors





CUSTOMER SUPPORT

Call your Service Representative at any time, 24 hours a day, at the number below. **PLEASE HAVE THE MODEL NUMBER AND SERIAL NUMBER AVAILABLE WHEN YOU CALL.** These can be found on the side of the enclosure. If your call is made after business hours or on weekends, please leave your name, telephone number, the unit's serial number, and a brief description of the problem. A Service Representative will call back at the earliest opportunity.

**Distributor Service
Number Here**

TO CONTACT CLIPPERCREEK DIRECTLY FOR SERVICE CALL (877) 694-4194 MONDAY THROUGH FRIDAY BETWEEN 8:00AM AND 5:00PM PACIFIC TIME.



LIMITED WARRANTY – ELECTRIC VEHICLE SUPPLY EQUIPMENT and ACCESSORIES

Enphase Energy, Inc. through its ClipperCreek division
11850 Kemper Road
Auburn, California 95603
Phone: 877-694-4194
Email: information@clippercreek.net

Subject to the terms and conditions below, Enphase Energy, Inc. (“**Enphase**”) provides the following limited warranty to the original purchaser of the products (“**Covered Owner**” or “**you**”):

Product 1-year parts, 1-year factory labor:

Subject to the terms and conditions below, Enphase warrants the product to be free from defects in material and workmanship for a period of 1 year commencing on the date of installation (first use) (the “**Warranty Period**”). Except where prohibited by applicable law, the product installation date must be evidenced and communicated to Enphase by way of the product registration card (or its equivalent). The product registration card must be filled out completely and accurately, and returned to Enphase within 30 days after installation, and the product installation date shall be within 6 months after the purchase date. If a Product installation date is not communicated to Enphase as described above, the product purchase date indicated in the Covered Owner’s proof of purchase for the product shall serve as the start date of the Warranty Period.

If Enphase confirms the existence of a defect that is covered by this Limited Warranty, Enphase will, at its option, repair or replace the product, or refund the actual purchase price for the product less reasonable depreciation based on use at the time that Enphase is notified of the defect. Enphase will not elect to issue a refund unless (i) Enphase is unable to provide a replacement and repair is not commercially practicable or cannot be timely made, or (ii) Covered Owner is willing to accept such a refund. If a defect in material or workmanship exists in the product, to the extent permitted by law, these are the sole and exclusive remedies. Repair parts and/or replacement products may be either new or reconditioned at Enphase’s discretion. This limited warranty does not cover defects caused by improper installation or use, including but not limited to improper connections with peripherals, external electrical faults, accident, disaster, misuse, abuse, or modifications to the product not made by or at the direction of Enphase. Any service repair outside the scope of this limited warranty shall be at applicable rates and terms then in effect. This warranty covers factory parts and factory labor only; it does not cover field service or removal and replacement of the product or any other costs.

All other express and implied warranties for this product including the warranties of merchantability, fitness for a particular purpose, and non-infringement are hereby disclaimed. Some states do not allow the exclusion of implied warranties or limitations on how long an implied warranty lasts, so the above limitation may not apply to you. In no event will Enphase, any of its authorized sales and service representatives, or its parent company be liable to Covered Owner or any third party for any damages in excess of the purchase price of the product. This limitation applies to damages of any kind including any direct or indirect damages, lost profits, lost saving or other special, incidental, exemplary or consequential damages whether for breach of contract, tort or otherwise or whether arising out of the use of or inability to use the product, even if Enphase or an authorized Enphase representative or dealer has been advised of the possibility of such damages or of any claim by any other party. Some states do not allow the exclusion or limitation of incidental damages for some products, so the above limitation or exclusion may not apply to you. This warranty gives you specific legal rights, and you may also have other rights which may vary from state to state.

To obtain warranty service:

Call your nearest authorized Service Representative or the ClipperCreek division of Enphase at the above number. You will receive information as to how service for the product will be provided. If you mail or ship the product in for service, you must insure the product, prepay all shipping charges, and properly pack it for shipment in its original shipping container or its equivalent. You are responsible for all loss or damage that may occur in transit. You must provide proof of purchase for the product and the purchase date before any warranty service can be performed.



CLIPPERCREEK
A division of Enphase Energy, Inc.

WWW.CLIPPERCREEK.COM
877-694-4194